

- Extra reinforced steel cast body.
- Lightweight and strong design.
- 100% Holding negative-acting hydraulic brake system.
- Standard pressure roller and roller fairlead.
- Easy assembly, high rope capacity and high torque hydromotor.
- Standard manual rope unloading system.
- CE Machinery Directive 2006/42/EC
- Meets SAE J706 rating

## Specifications

- Max. pulling capacity** : 45000 kg ( 99180 lbs )
- Max. rope length** : 75m ( 246 ft )
- Max. rope length ( SAE )** : 59.5m ( 195.3 ft )
- Recommended wire rope** : 28 mm ( 10/9" ) 2160 Mpa
- Hydromotor** : 160cc ( 9.6 in<sup>3</sup> )
- Max. pump flow** : 75 L/min ( 19.8 g/min )
- Gear ratio** : 158 : 1
- Oil types and capacity** : 85W 140 - 16L
- Max. working pressure** : 190 bar ( 2755 psi )

**Winch : ( kg / lbs )**  
755.8 kg ( 1665.8 lbs )

**Roller Fairlead : ( kg / lbs )**  
50 kg ( 110.2 lbs )

**Cable Tensioner : ( kg / lbs )**  
12 kg ( 26.4 lbs )

**Mounting Bolts : ( kg / lbs )**  
20 pieces M22 8,8

**Standards** Cable tensioner  
Roller Fairlead

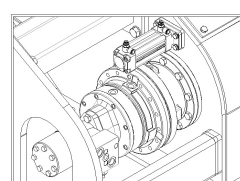
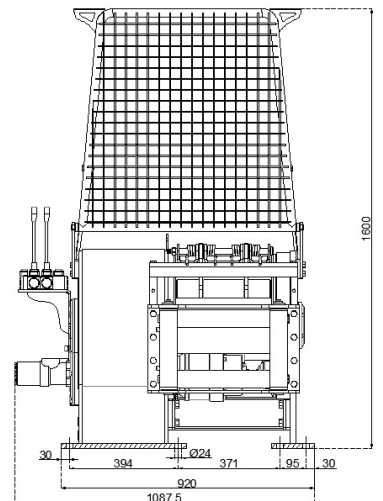
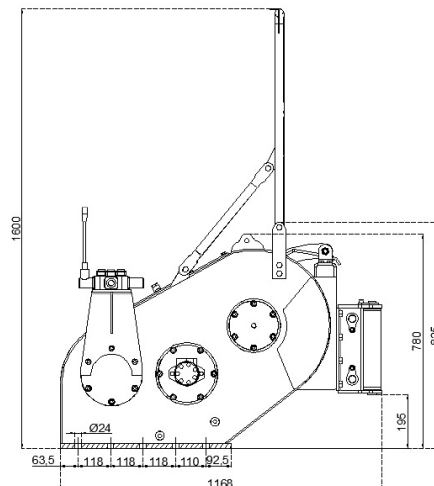
**Hydraulic Inlets** G 1/2"

**Optional**  
IP67 - IP 68

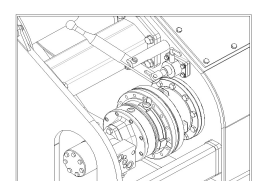
### Warning !

- Before operating the winch, A-B lines must be open to T line (tank line) of the control valve in center position.
- This winch is designed and manufactured for pulling, don't lift person or material.
- Always keep last 5 wrap on the drum.
- The technical details given above are just for information.
- HAMMER WINCH keeps the right to change the technical details.
- Pneumatic working pressure : Min 9 bar - Max 12 bar (Min 130 psi - Max 174 psi)
- Do not pull a load in fast rope winding mode as the brake system is not activated!

Rope Winding Layer	Pulling Capacity kg / lbs	Rope Speed m / min - ft / min	Rope Length m / ft	No-load fast winding m / min
1	45000 kg / 99180 lbs	2 m/min - 6.6 ft/min	8.6 m / 28.2 ft	15 m/min - 49 ft/min
2	37029 kg / 81612 lbs	2.4 m/min - 7.9 ft/min	18 m / 59 ft	18.1 m/min - 59.4 ft/min
3	31455 kg / 69327 lbs	2.8 m/min - 9.2 ft/min	30.5 m / 100 ft	21.4 m/min - 70 ft/min
4	27339 kg / 60257 lbs	3.3 m/min - 10.8 ft/min	43.5 m / 142.6 ft	24.5 m/min - 80.4 ft/min
SAE 5	24176 kg / 53285 lbs	3.7 m/min - 12.1 ft/min	59.5 m / 195.3 ft	27.8 m/min - 91 ft/min
6	21669 kg / 47760 lbs	4.1 m/min - 13.4 ft/min	75 m / 246 ft	31 m/min - 101.7 ft/min



Activating or deactivating the high speed winding/unwinding mode pneumatically.



Activating or deactivating the high speed winding/unwinding mode manually.